

WENCOR™

Worldwide Leader in Parts Distribution and PMA Development

OEM: Hamilton Sundstrand P/N: 738445

Wencor PMA P/N: 738445WE

Description: Pump - Vane

Next Higher Assembly:

Hydraulic Pump

Supplement No. 116

PMA No.: PQ1370NM

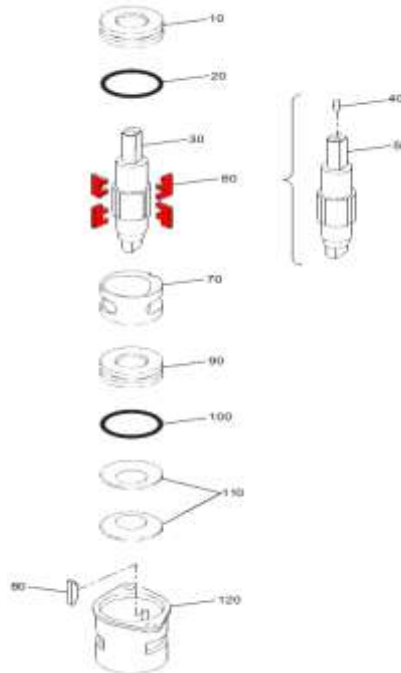
FAA-Approved Design Data:

See Supplement

Installation Eligibility:

See Supplement

Quantity per Assembly: 4



Springville, Utah

1625 North 1100 West, 84663

PHONE (801) 489-2000 • **Fax** (801) 489-2199

24-Hour AOG HOTLINE (801) 489-2122

sales@wencor.com

WENCOR™
The Leader in Parts Distribution and PMA Development

For tech info or to order on-line

www.wencor.com